



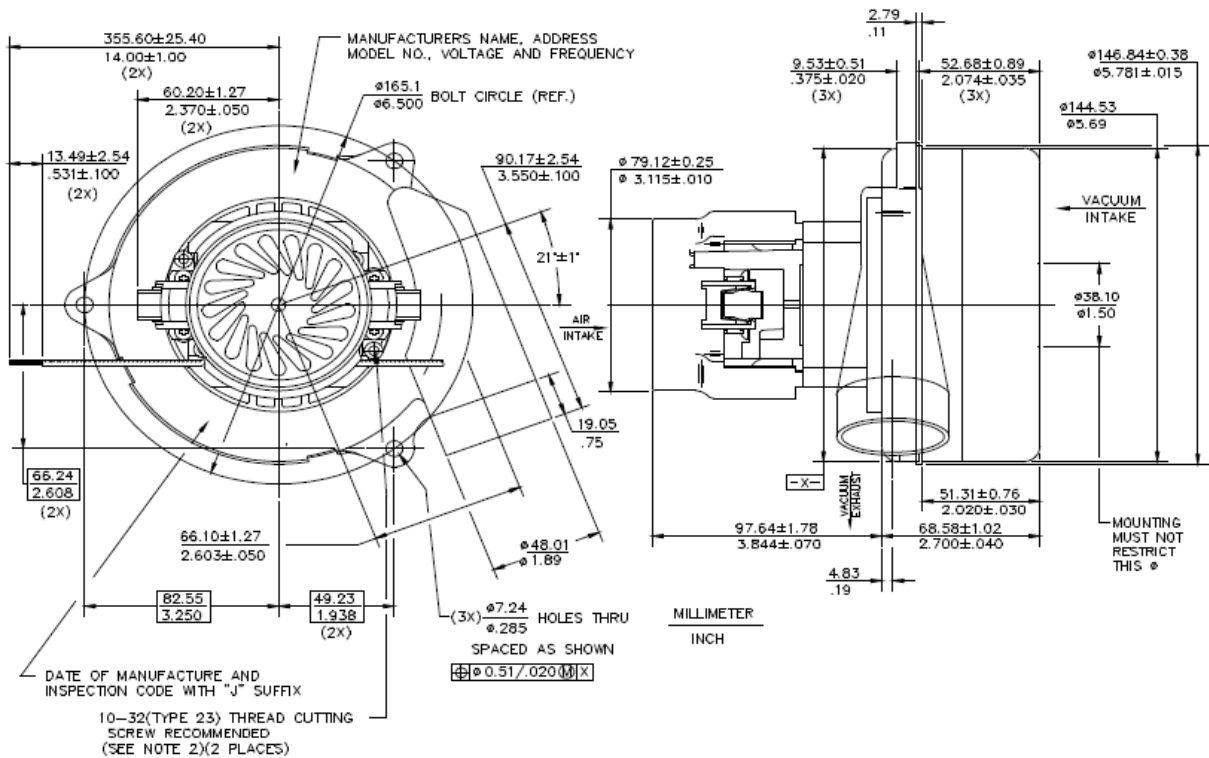
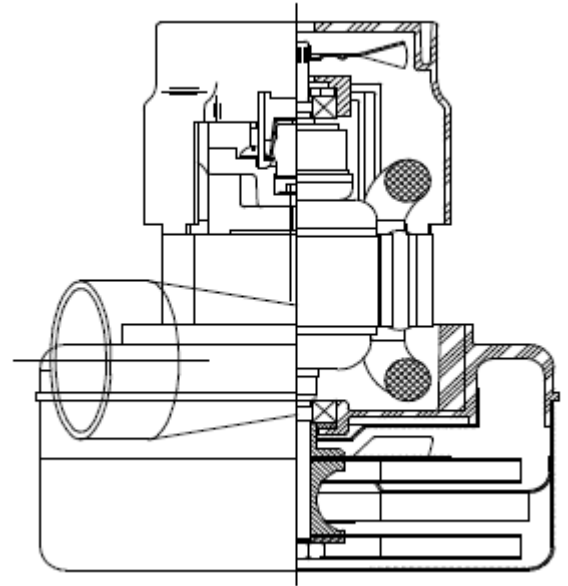
Alfredo Llimona SA
cepillos industriales

TECHNICAL SHEET

A.LLIMONA Reference: **60211615700**

VACUUM MOTOR LAMB AMETEK

- 2 STAGES
- 24V
- 400W
- TANGENTIAL



Bosch i Gimpera 45 / Pol.Ind. Sta Margarita II / 08223 TERRASSA

Tel: +34 93.736.23.40 / Fax: +34 93.731.03.85

export@alfredollimona.com