



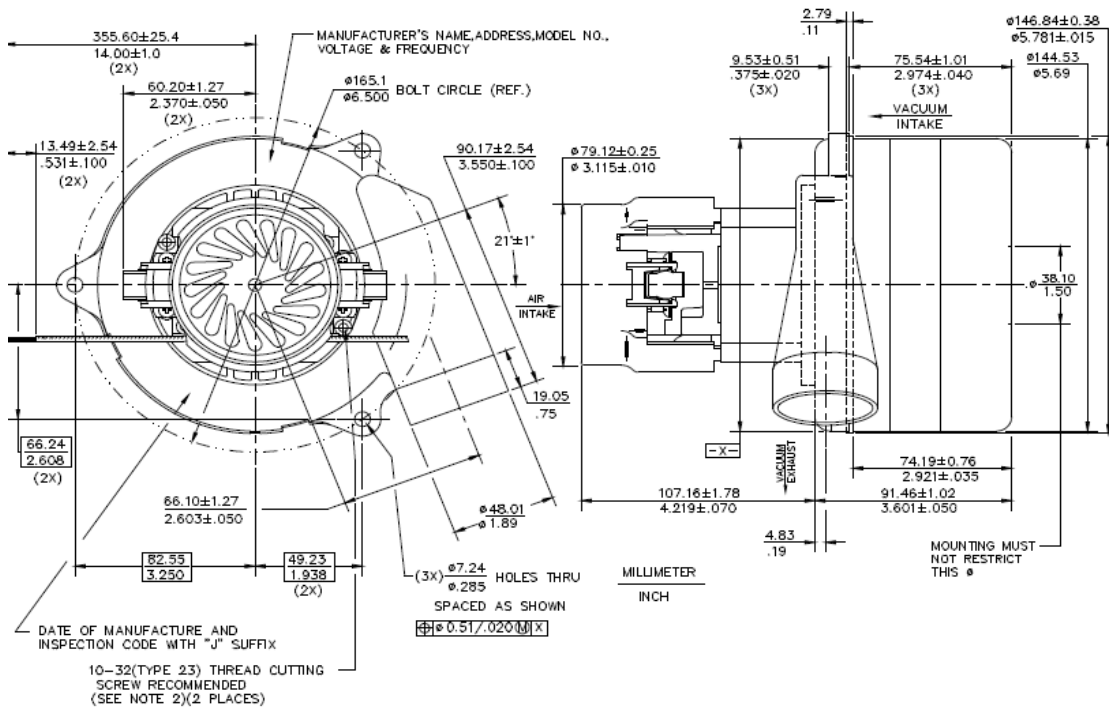
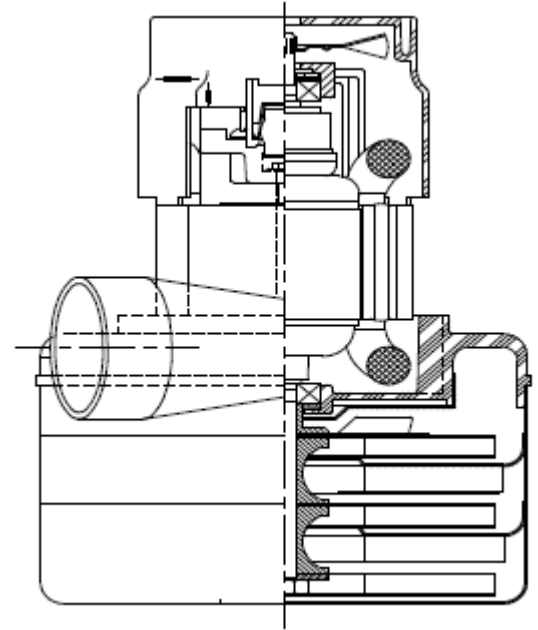
Alfredo Llimona SA
cepillos industriales

TECHNICAL SHEET

A.LLIMONA Reference: 60211651313

VACCUM MOTOR LAMB AMETEK

- 3 STAGES
- 36V
- 600W
- TANGENTIAL



Bosch i Gimpera 45 / Pol.Ind. Sta Margarita II / 08223 TERRASSA

Tel: +34 93.736.23.40 / Fax: +34 93.731.03.85

export@alfredollimona.com